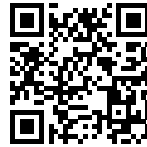


Stainless steel knife holder

Stainless steel knife holder + Black support for resting blades

Accessories equipped troughs

Code: 8100 712



DETAILS

Equipped troughs accessories Stainless steel knife holder

Type Standard

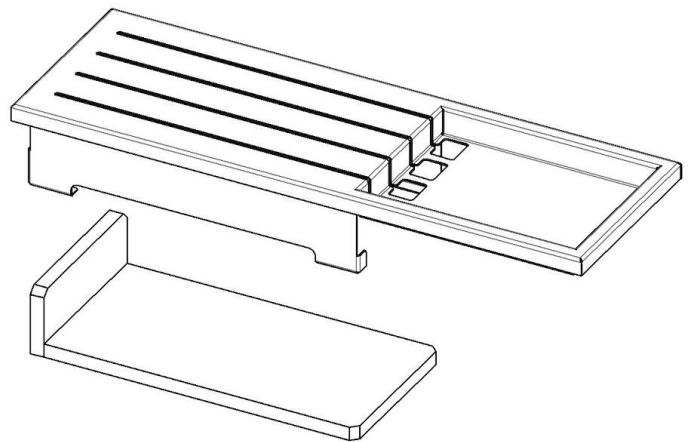
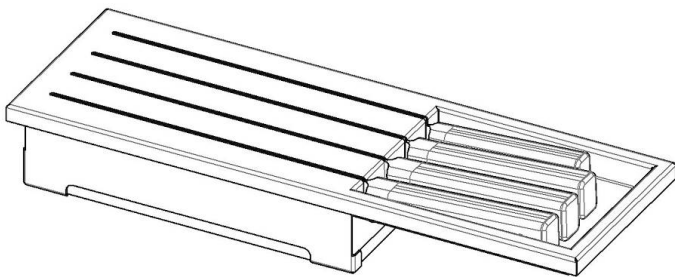
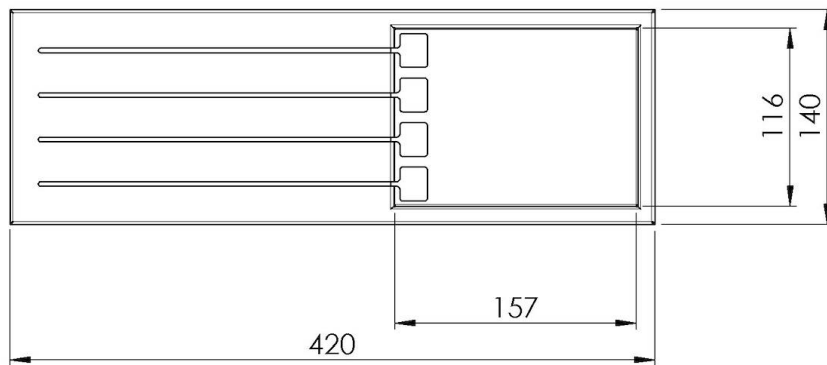
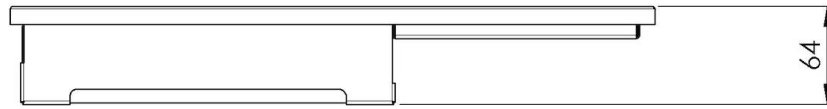
Dimensions 42 x 14 cm

Length 3 unit - Standard

Key to understanding the accessories The lengths of the channels and accessories are indicated in “units”; for the composition, the sum of the “units” of the accessories must be the same as the length in “units” of the channel.

TECHNICAL DATA

8100 712



1 x supporto black / 1 x black support